

RECOMMENDED MOUNTING AND FASTENING GUIDE

ANCHORAGE

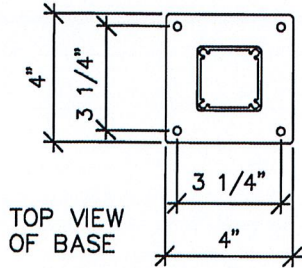
Proper anchorage of guardrail posts and rails to a sound and structurally adequate supporting structure is essential for a guardrail system. These elements must be as secure and ridged as possible. A structurally adequate supporting structure is as important as the anchorage elements themselves. One without the other compromises the load carrying capacity and performance of the guardrail system. The responsibility to provide for proper support conditions is beyond the scope and control of the guardrail system designer and/or manufacturer/provider.

IMPORTANT

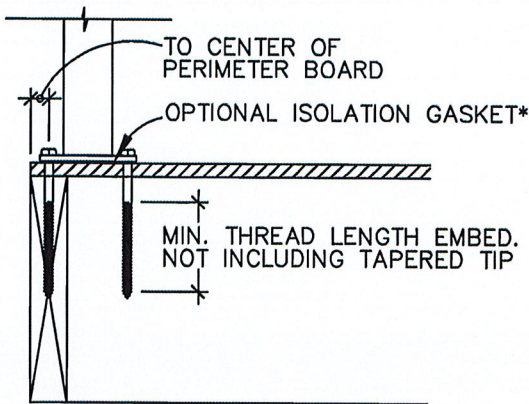
Proper layout, design and installation of a deck railing are critical to the performance and strength of the deck railing. Failure to comply with proper layout, design and installation of a deck railing could result in serious injury or loss of life. This document is intended as a guide for designers, architects, Engineers and professional installers. If additional clarification is required, please consult a professional engineer to evaluate your specific circumstances, prior to starting your residential single-family deck railing project.

RECOMMENDED MOUNTING AND FASTENING TO WOOD

NO.1/NO.2 OR BETTER WOOD BLOCKING ANCHORAGE TO MAIN STRUCTURE AND MAIN STRUCTURE LOAD CAPACITY RESPONSIBILITY OF OTHERS



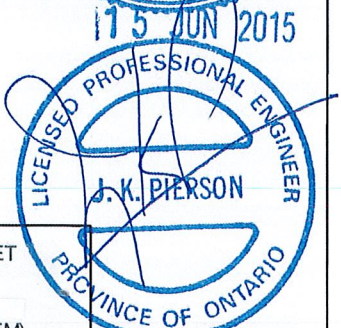
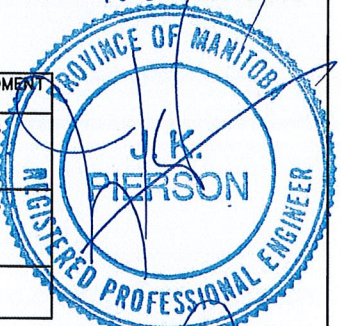
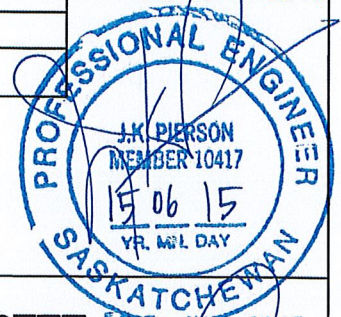
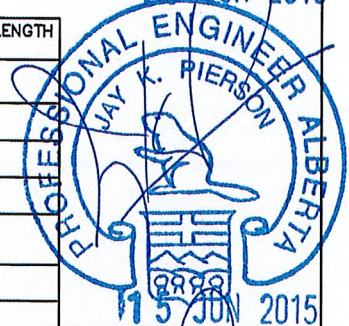
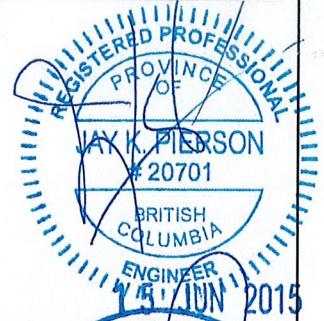
TOP VIEW OF BASE



*OPTIONAL CLOSED CELL ISOLATION GASKET BETWEEN DISSIMILAR OR INCOMPATIBLE MATERIALS. (NOT INTENDED AS A WATER PROOFING ITEM)

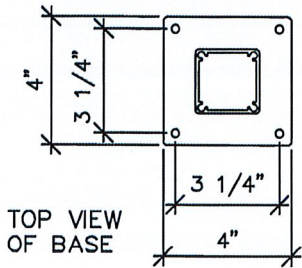
POST SIZE	LAG SCREW DIAMETER	WOOD BLOCKING SPECIES	MIN THREAD LENGTH EMBEDMENT
2"	5/16"	DOUGLAS FIR	3"
		SPRUCE-PINE-FIR	3 1/2"
	3/8"	DOUGLAS FIR	2 1/2"
		SPRUCE-PINE-FIR	3"
2 1/2"	5/16"	DOUGLAS FIR	4"
		SPRUCE-PINE-FIR	4 1/2"
	3/8"	DOUGLAS FIR	3 1/2"
		SPRUCE-PINE-FIR	4"

ALL LAGS SCREWS TO BE SET IN NO.1/NO.2 OR BETTER WOOD BLOCKING

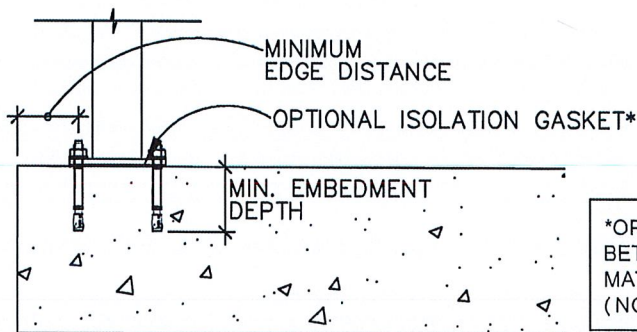


RECOMMENDED MOUNTING AND FASTENING TO CONCRETE

MAIN STRUCTURE LOAD CAPACITY RESPONSIBILITY OF OTHERS



TOP VIEW OF BASE



POST SIZE	MIN. CONCRETE COMPRESSIVE STRENGTH	FASTENER TYPE	MIN. EDGE DISTANCE	MIN. EMBEDMENT DEPTH
2"	4000 psi (27.6 MPa)	3/8"φ HILTI KWIK BOLT 3 EXPANSION ANCHOR	2 1/2"	3 1/2"
2 1/2"	4000 psi (27.6 MPa)	3/8"φ HILTI KWIK BOLT 3 EXPANSION ANCHOR	3 3/4"	3 1/2"

CONCRETE ANCHORS WITH EQUIVALENT OR BETTER ALLOWABLE TENSION AND SHEAR LOADS CAN BE SUBSTITUTED.

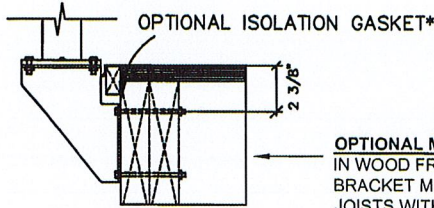
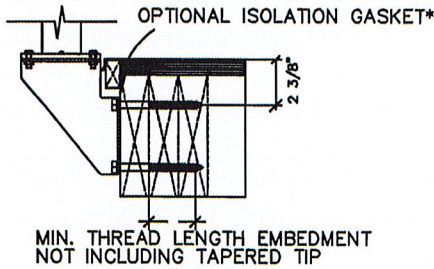
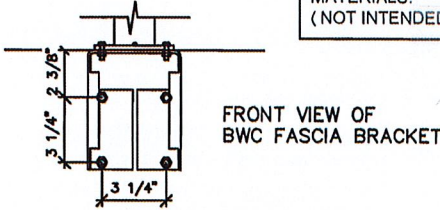
*OPTIONAL CLOSED CELL ISOLATION GASKET BETWEEN DISSIMILAR OR INCOMPATIBLE MATERIALS. (NOT INTENDED AS A WATER PROOFING ITEM)

FIGURE 3: ACCEPTABLE GUARDRAIL MOUNTING CONFIGURATIONS

FASCIA (SIDE) MOUNTING DETAILS
RECOMMENDED MOUNTING AND FASTENING TO WOOD

NO.1/NO.2 OR BETTER WOOD BLOCKING ANCHORAGE TO MAIN STRUCTURE AND MAIN STRUCTURE LOAD CAPACITY RESPONSIBILITY OF OTHERS

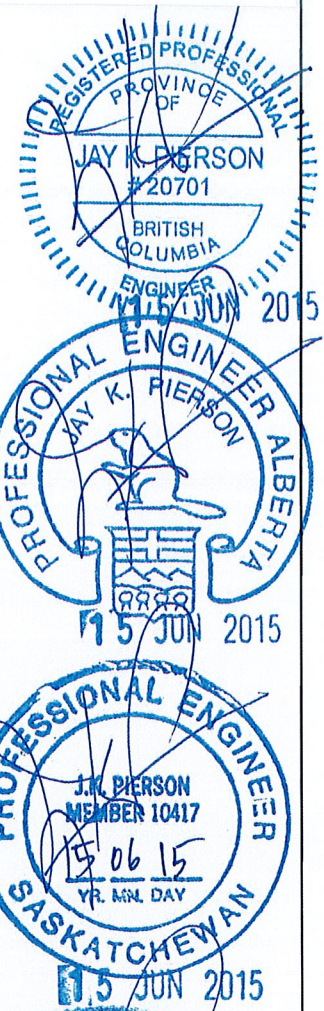
*OPTIONAL CLOSED CELL ISOLATION GASKET BETWEEN DISSIMILAR OR INCOMPATIBLE MATERIALS. (NOT INTENDED AS A WATER PROOFING ITEM)



OPTIONAL MOUNTING METHOD:
 IN WOOD FRAMING APPLICATIONS BWC FASCIA BRACKET MAY ALSO BE ATTACHED TO THE RIM JOISTS WITH THRU BOLTS AS INDICATED.

POST SIZE	LAG SCREW DIAMETER	WOOD BLOCKING SPECIES	MIN THREAD LENGTH EMBEDMENT
2"	5/16"	DOUGLAS FIR	3"
		SPRUCE-PINE-FIR	3 1/2"
	3/8"	DOUGLAS FIR	2 1/2"
		SPRUCE-PINE-FIR	3"
2 1/2"	5/16"	DOUGLAS FIR	4"
		SPRUCE-PINE-FIR	4 1/2"
	3/8"	DOUGLAS FIR	3 1/2"
		SPRUCE-PINE-FIR	4"

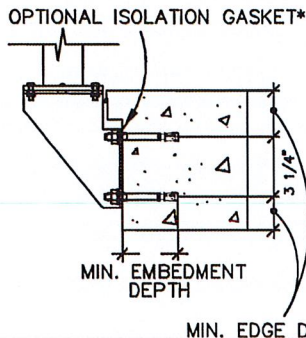
ALL LAGS SCREWS TO BE SET IN NO.1/NO.2 OR BETTER WOOD BLOCKING



FASCIA (SIDE) MOUNTING DETAILS
RECOMMENDED MOUNTING AND FASTENING TO CONCRETE

MAIN STRUCTURE LOAD CAPACITY RESPONSIBILITY OF OTHERS

*OPTIONAL CLOSED CELL ISOLATION GASKET BETWEEN DISSIMILAR OR INCOMPATIBLE MATERIALS. (NOT INTENDED AS A WATER PROOFING ITEM)



POST SIZE	MIN. CONCRETE COMPRESSIVE STRENGTH	FASTENER TYPE	MIN. EDGE DISTANCE	MIN. EMBEDMENT DEPTH
2"	4000 psi (27.6 MPa)	3/8" # HILTI KWIK BOLT 3 EXPANSION ANCHOR	2 1/2"	3 1/2"
2 1/2"	4000 psi (27.6 MPa)	3/8" # HILTI KWIK BOLT 3 EXPANSION ANCHOR	3 3/4"	3 1/2"

CONCRETE ANCHORS WITH EQUIVALENT OR BETTER ALLOWABLE TENSION AND SHEAR LOADS CAN BE SUBSTITUTED.

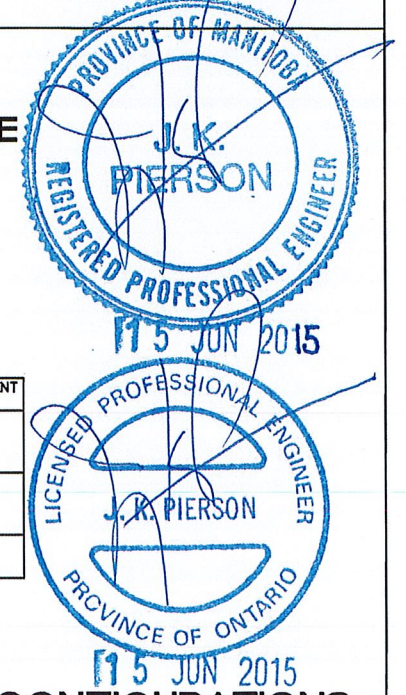
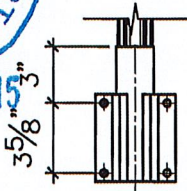
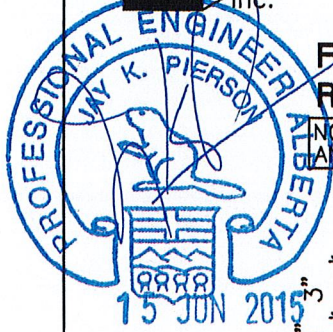


FIGURE 3: ACCEPTABLE GUARDRAIL MOUNTING CONFIGURATIONS

FASCIA (SIDE) MOUNTING DETAILS
RECOMMENDED MOUNTING AND FASTENING TO WOOD

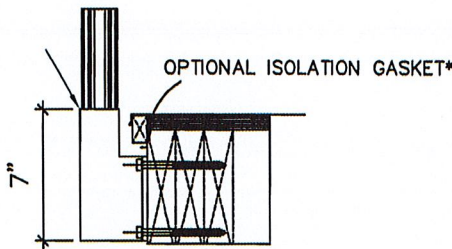
NO.1/NO.2 OR BETTER WOOD BLOCKING ANCHORAGE TO MAIN STRUCTURE AND MAIN STRUCTURE LOAD CAPACITY RESPONSIBILITY OF OTHERS



FRONT VIEW OF BWC SLIM LINE FASCIA BRACKET

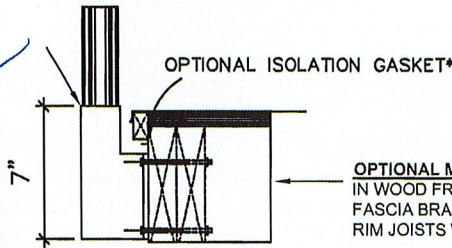
*OPTIONAL CLOSED CELL ISOLATION GASKET BETWEEN DISSIMILAR OR INCOMPATIBLE MATERIALS. (NOT INTENDED AS A WATER PROOFING ITEM)

MOUNTING METHOD:
 Ensure the top of the Slim Line Fascia Bracket is 1/4" above the top of the deck surface so that railing height is maintained.



MIN. THREAD LENGTH EMBEDMENT NOT INCLUDING TAPERED TIP

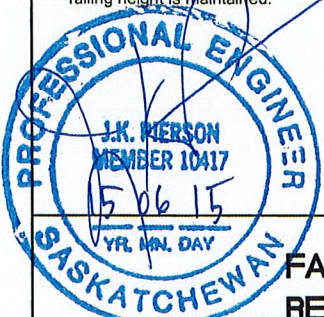
MOUNTING METHOD:
 Ensure the top of the Slim Line Fascia Bracket is 1/4" above the top of the deck surface so that railing height is maintained.



OPTIONAL MOUNTING METHOD:
 IN WOOD FRAMING APPLICATIONS BWC SLIM LINE FASCIA BRACKET MAY ALSO BE ATTACHED TO THE RIM JOISTS WITH THRU BOLTS AS INDICATED.

POST SIZE	LAG SCREW DIAMETER	WOOD BLOCKING SPECIES	MIN THREAD LENGTH EMBEDMENT
2"	5/16"	DOUGLAS FIR	3"
		SPRUCE-PINE-FIR	3 1/2"
	3/8"	DOUGLAS FIR	2 1/2"
		SPRUCE-PINE-FIR	3"
2 1/2"	5/16"	DOUGLAS FIR	4"
		SPRUCE-PINE-FIR	4 1/2"
	3/8"	DOUGLAS FIR	3 1/2"
		SPRUCE-PINE-FIR	4"

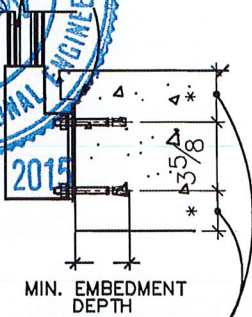
ALL LAGS SCREWS TO BE SET IN No.1/No.2 OR BETTER WOOD BLOCKING



FASCIA (SIDE) MOUNTING DETAILS
RECOMMENDED MOUNTING AND FASTENING TO CONCRETE

MAIN STRUCTURE LOAD CAPACITY RESPONSIBILITY OF OTHERS

OPTIONAL ISOLATION GASKET*



MIN. EMBEDMENT DEPTH

MIN. EDGE DISTANCE

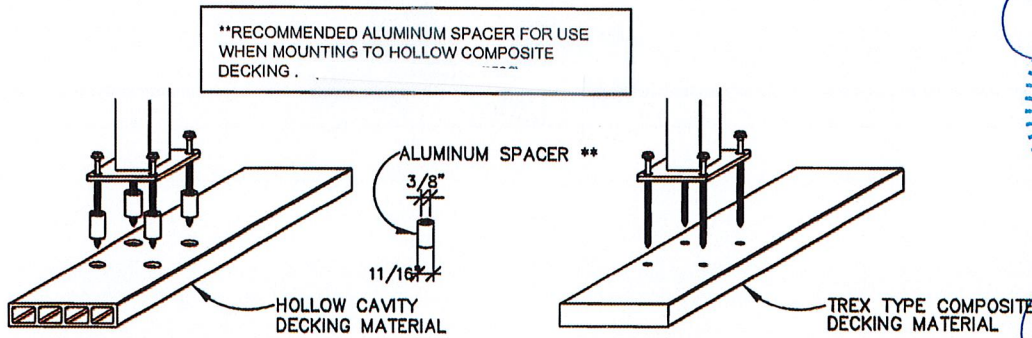
POST SIZE	MIN. CONCRETE COMPRESSIVE STRENGTH	FASTENER TYPE	MIN. EDGE DISTANCE	MIN. EMBEDMENT DEPTH
2"	4000 psi (27.6 MPa)	3/8"φ HILTI KWIK BOLT 3 EXPANSION ANCHOR	2 1/2"	3 1/2"
2 1/2"	4000 psi (27.6 MPa)	3/8"φ HILTI KWIK BOLT 3 EXPANSION ANCHOR	3 3/4"	3 1/2"

CONCRETE ANCHORS WITH EQUIVALENT OR BETTER ALLOWABLE TENSION AND SHEAR LOADS CAN BE SUBSTITUTED.

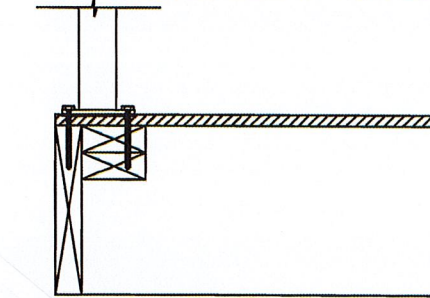
*OPTIONAL CLOSED CELL ISOLATION GASKET BETWEEN DISSIMILAR OR INCOMPATIBLE MATERIALS. (NOT INTENDED AS A WATER PROOFING ITEM)

FIGURE 3: ACCEPTABLE GUARDRAIL MOUNTING CONFIGURATIONS

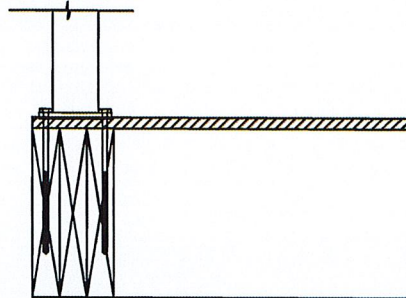
RECOMMENDED MOUNTING THROUGH COMPOSITE DECKING



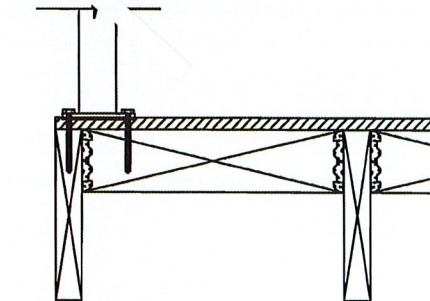
RECOMMENDED WOOD BLOCKING DETAILS



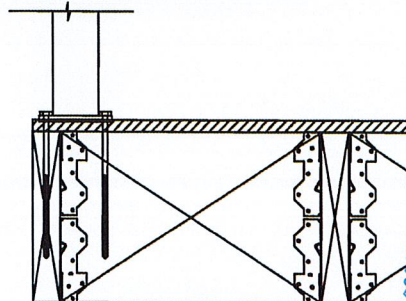
TOP MOUNT TO WOOD FLOOR JOISTS PERPENDICULAR



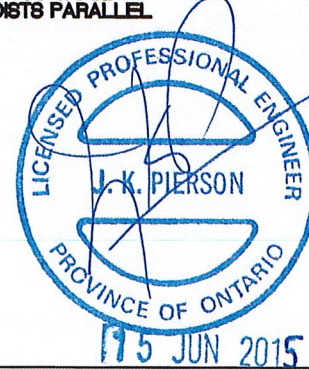
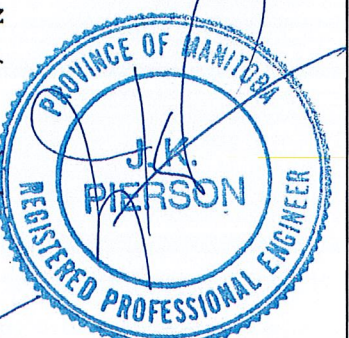
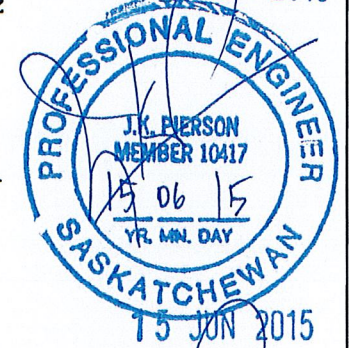
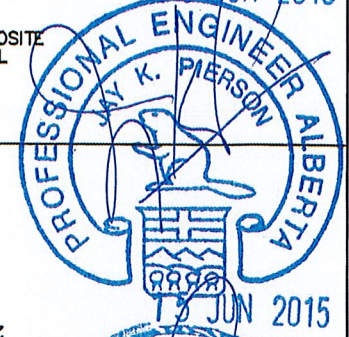
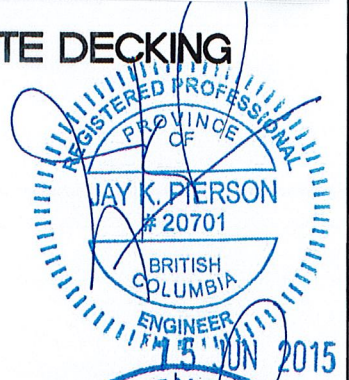
TOP MOUNT TO WOOD FLOOR JOISTS PERPENDICULAR



TOP MOUNT TO WOOD FLOOR JOISTS PARALLEL

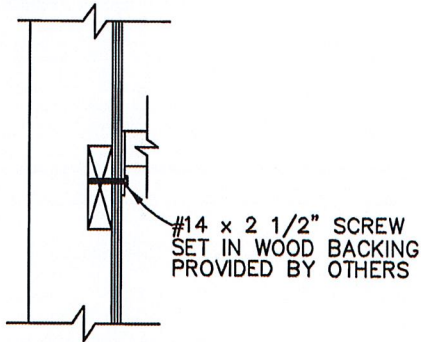


TOP MOUNT TO WOOD FLOOR JOISTS PARALLEL

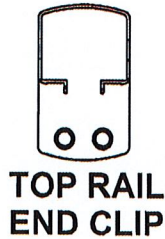


NO.1/NO.2 OR BETTER WOOD BLOCKING ANCHORAGE TO MAIN STRUCTURE AND MAIN STRUCTURE LOAD CAPACITY RESPONSIBILITY OF OTHERS

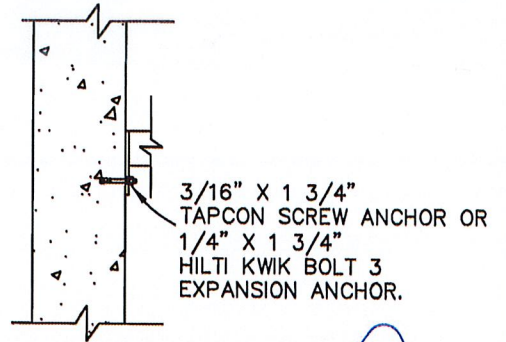
FIGURE 3continued: ACCEPTABLE GUARDRAIL MOUNTING CONFIGURATIONS



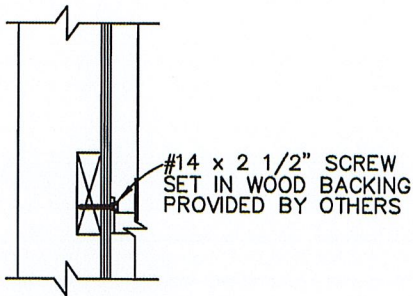
TOP RAIL MOUNT TO WOOD



TOP RAIL END CLIP



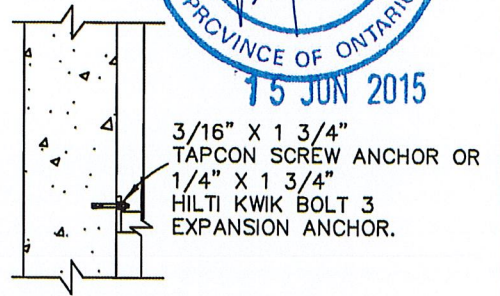
TOP RAIL MOUNT TO CONCRETE



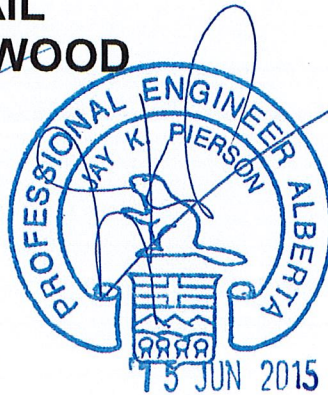
BOTTOM RAIL MOUNT TO WOOD



BOTTOM RAIL END CLIP



BOTTOM RAIL MOUNT TO CONCRETE



NO.1/NO.2 OR BETTER WOOD BLOCKING ANCHORAGE TO MAIN STRUCTURE AND MAIN STRUCTURE LOAD CAPACITY RESPONSIBILITY OF OTHERS

FIGURE 3continued: ACCEPTABLE GUARDRAIL MOUNTING CONFIGURATIONS